

RC552-GE (Rev.D)

10/100/1000M OAM Media Converter with 1:1 Uplink Protection

RC552-GE (Rev.D) is Raisecom's latest revised modular 10/100/1000Mbps OAM media converter with 1:1 uplink protection.

The media converter is equipped with a 10/100/1000Mbps auto-negotiation UTP interface at client side, two SFP-based fiber interfaces at line side, and a CONSOLE port for web-based management IP address setup. The two uplink is able to work in a 1:1 protected way that the traffic will be switched to the secondary line for transmission whenever the primary line is broken down and be switched back to the primary when the link recovers. The switching time is within 50ms.

RC552-GE(Rev.D) can either be deployed in a

pair or connected directly to a switch with fiber ports. IEEE802.3ah OAM makes the media converter be easily monitored and managed.

The media converter works in Raisecom RC001/002 series chassis. With SNMP agent in the chassis, a pair of RC552-GE(Rev.D) can be monitored and network managed on the GUI of Raisecom's NView NNM system. RC552-GE(Rev.D) can also be assigned with an independent IP address for web-based management, which provides a easier way for the user to log in the media converter locally or remotely for monitoring, configuration change and fault removing.

Feature

Client Side Port	10/100/1000M auto-negotiation RJ-45 connector
Line Side Port	2 SFP slots for 1000M fiber optic SFP, LC connector 1:1 uplink protection
CONSOLE Port	Independent IP address setup for web-based management
MTU (Jumbo Frame)	2048 Bytes (at 10/100M) 9728 Bytes (at 1000M)
Transmission distance	Dual-strand fiber: up to 80km Single strand fiber: up to 40km
Rate Limit	N x 128Kbps
IEEE802.1Q VLAN	16 VLAN group, support CoS value rewriting
Q-in-Q	Outer tag add and remove
Fiber Port ALS	Support
Fault Pass Through	1. from Line side to Client side 2. from Client side to Line side
IEEE802.3ah OAM	OAM discovery MIB variable retrieval Dying Gasp (by indicator, status change and alarm report) OAM loopback
Loopback Test	Standard OAM loopback Local internal loopback test
SFP Management	SFP information collection SFP digital diagnostics
Remote Management	When working in pair, remote module can be fully monitored and managed through the local module working in OAM master mode via OAM.
Web-based Management	Local and remote inband web-based management for single module, including firmware upgrade
GUI-based Management	Through SNMP agent module RC001-NMS1 or RC002-NMS1, a pair of the media converters can be monitored and managed on the GUI of Raisecom NView NNM system. RC552-GE(D) that is used independently and not running in a network manageable chassis can also be monitored on NView platform using its independent IP address.

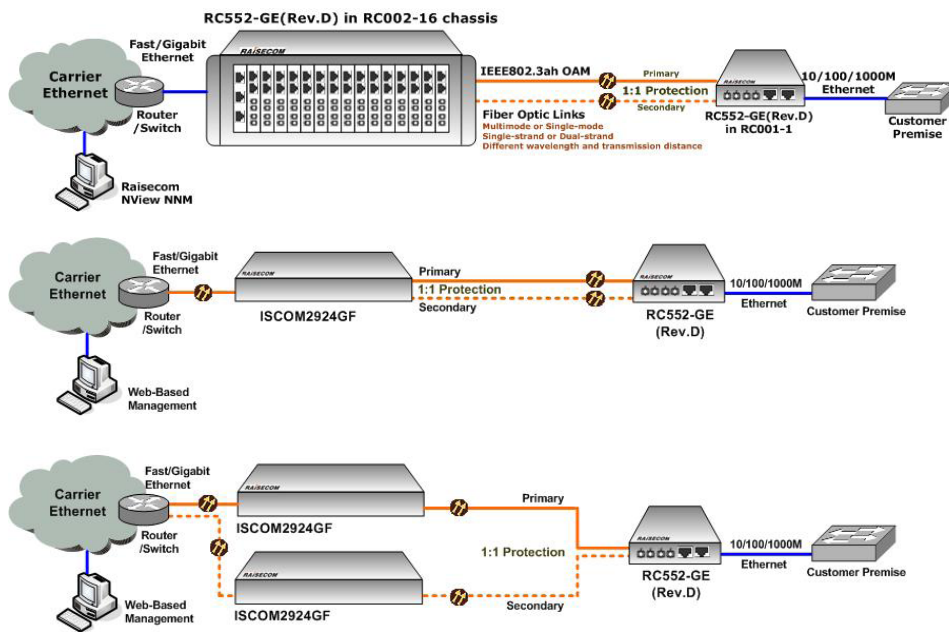


RC552-GE (Rev.D)

Specification

Port	Client Side 1*10/100/1000Base-Tx (RJ-45) 1*10/100Base-Tx CONSOLE port (RJ-45) Line side 2*1000Base-X (SFP)
Indicators	PWR for power supply RFI for dying gasp indication 1000M for electrical port LNK/ACT for electrical port LNK/ACT for optical port PRI for primary fiber link SEC for secondary fiber link OAM for OAM connection
Dimension	91(W)*155(D)*25(H)mm
Weight	0.5kg
Power supply	power supplied by chassis AC: 100~240V DC: -48V
Power consumption	≤ 5W
Working ambience	Temp: 0~45 centigrade RH: 5~90% non-condensing
Storage ambience	Temp: -25~85 centigrade RH: 20~90% non-condensing
Safety compliance	CE marking FCC Class A

Typical Application

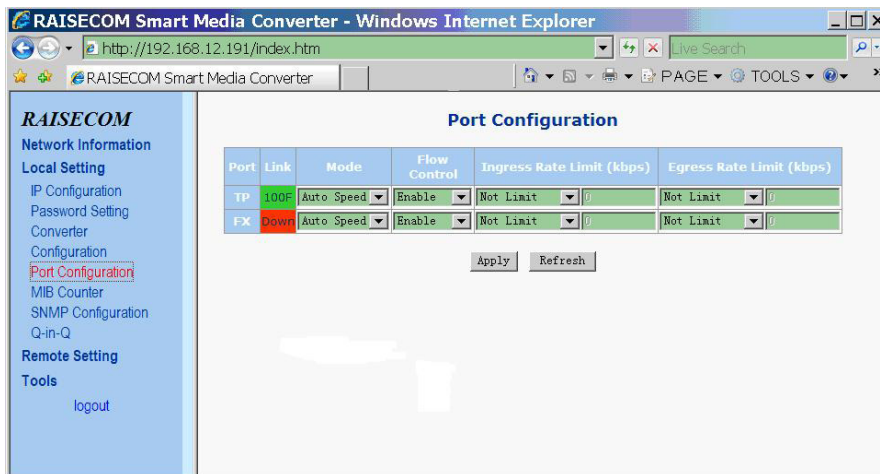


Compliance

IEEE	IEEE802.3-2002 IEEE802.3i 10Base-T IEEE802.3u 100Base-TX IEEE802.3ab 1000Base-T IEEE802.3z 1000Base-X IEEE802.3x IEEE802.3ah-2004
MEF	EPL, MEF 9, 14



Web-Based Management



Ordering Information

Part Number	Description
RC552-GE (Rev.D)	modular 10/100/1000Mbps OAM media converter with 1:1 uplink protection, one 10/100/1000M auto-negotiation GE port at Client side, two 1000M SFP-based fiber uplink port at Line side with 1:1 protection, inband web-based management via independent IP address, monitored and managed on the GUI of NView NNM system