



DR5254

DR5254 is the main equipment of the intelligent networking terminals, which is connected to the gateway through a network cable in the uplink and then provides users with high-speed network extension service through wired and wireless methods in the downlink. It adopts the high-powered CPU to ensure the fast and stable operation of the system. It has 1 GE WAN port, 2 GE LAN ports, and 4 built-in omni-directional antennas, supports a new generation of IEEE802.11a/n/ac,5GHz and IEEE802.11b/g/n,2.4GHz wireless technology, and provides wider 2.4GHz coverage and more efficient 5GHz transmission. The total dual-band concurrent bandwidth is up to 1167Mbps, which enables the users surf the internet faster and smoother.

DR5254



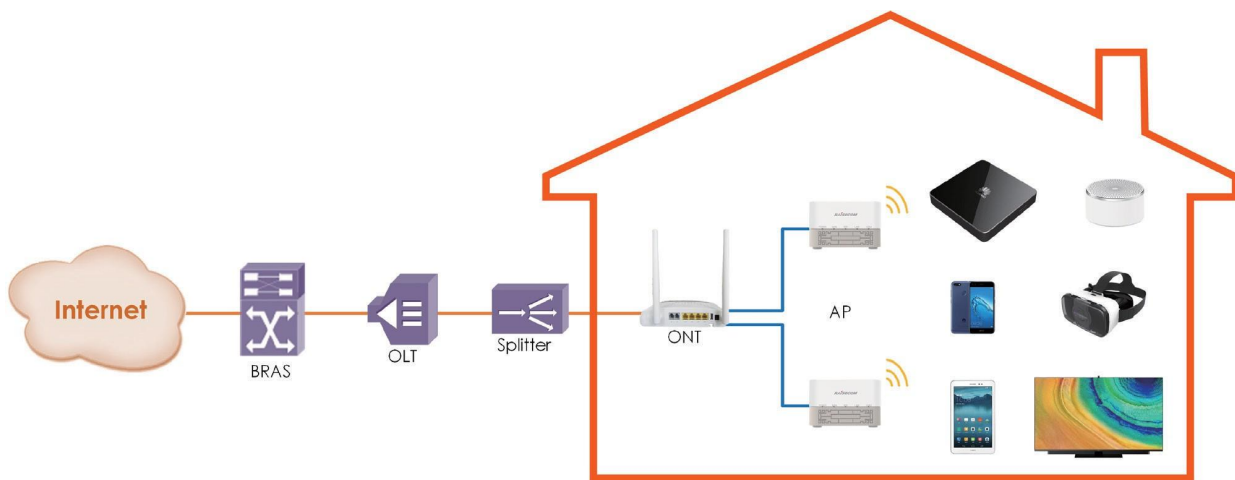
Highlights >>

Elegant appearance	Be suitable for desktop layout; support 4 built-in antennas
High-speed full-gigabit networks	Upgrade the bandwidth just in one step; adopt full-Gigabit network port design, 1 Gigabit WAN port, and 2 Gigabit LAN ports. The Wi-Fi maximum rate can reach 1167Mbps.
High-performance antenna	4 built-in high-performance antennas to achieve the omni-directional family coverage; 2.4GHz one with strong wall penetration and wide coverage, while 5GHz one with low latency and high rate.
WAN/LAN auto-adaption	With the support of the automatic identify the network port technology, you can plug in the 3 Gigabit ethernet ports as you like, and there will be auto-recognized uplink/downlink port no errors.
IPv6	All-round upgrade to support IPv6 (compatible with IPv4), more addresses, more secure.
Band-steering	Combined the 2.4GHz and 5GHz to a same one SSID, intelligent automatically connects the users' devices to the faster frequency.
Easy Setup	Easy setup in 3 steps with Smart Phone, easy to use.



Application >>

Figure.1 Wi-Fi Full Coverage in Smart Home Ecosystem.



Key Features >>

Physical features

- CPU: Dual core 900MHz
- Memory: 128MBytes DDR3
- Flash: 128MBytes NOR FLASH

GE interface

- 10/100/1000Base-T RJ-45 Ethernet interface auto-negotiation
- MDI/MDIX auto-detection

WLAN interface

- IEEE802.11 b/g/n and IEEE802.11ac
- 2.4GHz & 5GHz dual-band
- MU-MIMO: 2*2 2.4GHz & 2*2 5GHz
- Wi-Fi encryption: 4-bit and 128-bit AES, TKIP, TKIP-AES
- Wi-Fi authentication: WPA-PSK, WPA2-PSK, WPA/WPA2-PSK
- Qos: WMM
- Multiple SSIDs
- Wi-Fi access control based on MAC, Accept/Reject list*
- Guest Wi-Fi
- WPS*



IP features	<ul style="list-style-type: none">● Work mode: bridge mode, router mode● WAN IP: DHCP client, PPPoE, static IP● DHCP server● IPv4/IPv6 dual stack● IPv4 NAT● DNS client, DNS relay
IGMP	<ul style="list-style-type: none">● IGMP snooping● IGMP proxy
Security	<ul style="list-style-type: none">● Firewall● NAT port mapping virtue server; Full Cone NAT*● Parental Control: internet time control; Accept/Reject list*● DMZ*
Maintenance and Management	<ul style="list-style-type: none">● Managed via web, support Chrome, Firefox browser etc.● Factory reset● Log management● Network diagnose: ping, traceroute● Auto timed restart device*

*To be support in the next phase

[Specifications >>](#)

Physical Interface	Uplink: 1 GE (RJ45) Downlink: 2 GE (RJ45) + 2.4GHz & 5GHz dual-band Wi-Fi
Power Adapter	Input: 100–240 VAC (50/60 Hz) Output: 12 VDC, 1 A
Power consumption	Full load: < 12W
Use Conditions	Operating temp: 0~40°C Storage temp: -40~70°C Humidity: 10~90% non-condensing
Dimensions	105 (L) × 105 (W) × 68 (H) mm
Weight	≤ 0.20Kg



Ordering Information >>

DR5254	Wi-Fi router with 1 GE uplink (RJ45), 2 GE (RJ45) downlink, Dual-band IEEE802.11a/n/ac,5GHz and IEEE802.11b/g/n,2.4GHz, MU-MIMO 2*2 Wi-Fi
	* The router can be ordered with European and American or Brazilian power adaptor