



DR5264

DR5264 is the main equipment of the intelligent networking terminals, which is connected to the gateway through a network cable in the uplink and then provides users with high-speed network extension service through wired and wireless methods in the downlink. It adopts the high-powered CPU to ensure the fast and stable operation of the system. DR5264 has 3 GE WAN/LAN auto-negotiation port, and 4 external omni-directional antennas, supports a new generation of Wi-Fi 6 (IEEE802.11ax) and IEEE802.11b/g/n/ac wireless technology, and provides wider 2.4GHz coverage and 5GHz transmission. The total dual-band concurrent bandwidth is up to 1800Mbps, which enables the users surf the internet faster and smoother.

DR5264



Highlights >>

Elegant appearance	Be suitable for desktop layout; support 4 external antennas
High-speed full-gigabit networks	Upgrade the bandwidth just in one step; adopt full-gigabit network port design, 1 gigabit WAN port, and 2 gigabit LAN ports. The Wi-Fi support MU-MIMO, 1024-QAM and 80 MHz frequency bandwidth, the maximum theoretical rate can reach 1775Mbps (2.4GHz 574Mbps + 5GHz 1201Mbps).
High-performance antenna	4 external high-performance antennas to achieve the omni-directional family coverage; 2.4GHz one with strong wall penetration and wide coverage, while 5GHz one with low latency and high rate.
Easy Mesh	Easy Mesh Wi-Fi coverage whole home for all types of large house, the network topology supports wireless mode, wired mode, and the hybrid mode of wireless and wired.
IPTV/IPv6	Support wired/wireless multicast services in routing/bridging mode to realize the extension of multiple IPTVs in the home; all-round upgrade to support IPv6 (compatible with IPv4), more addresses, more secure.

Application >>

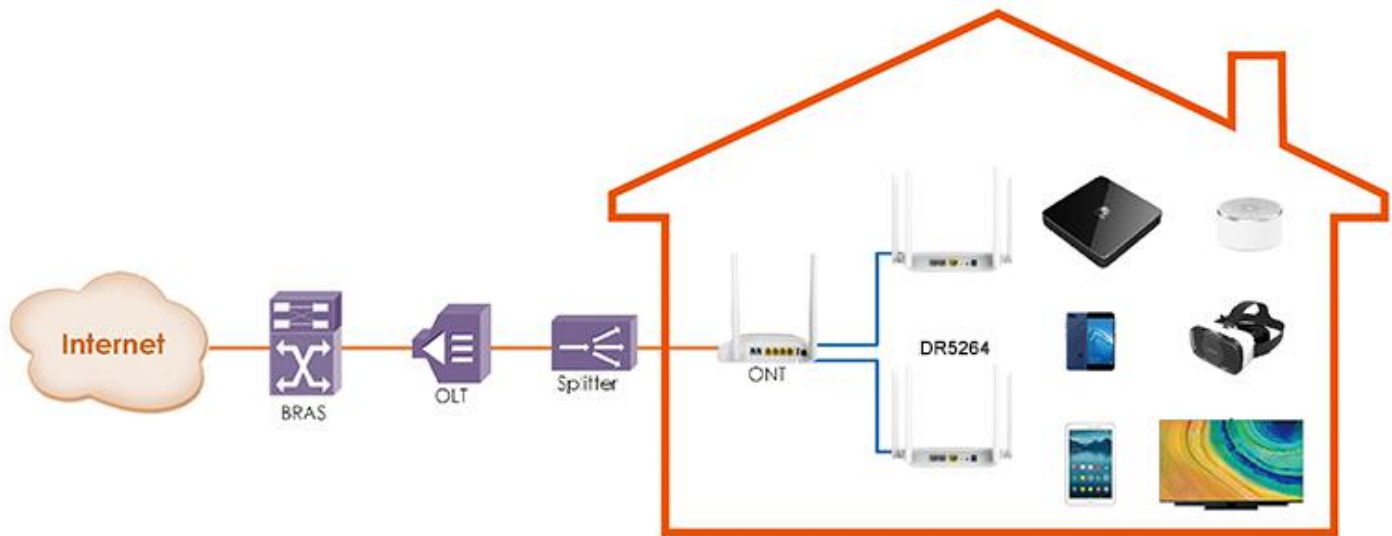


Figure.1 Wi-Fi Full Coverage in Smart Home Ecosystem.

Key Features >>

Physical features

- CPU: dual core 900MHz
- Memory: 256Mbytes
- Flash: 128Mbytes

GE interface

- 10/100/1000Base-T RJ-45 Ethernet interface
- Ethernet interface auto-negotiation or manual configuration
- MDI/MDIX auto-detection

WLAN interface

- IEEE802.11 b/g/n/ac/ax
- 2.4GHz & 5GHz dual-band
- MU-MIMO: 2x2 2.4GHz & 2x2 5GHz
- Wi-Fi encryption: 64-bit and 128-bit WEP, AES, TKIP, TKIP-AES
- Wi-Fi authentication: WPA-PSK, WPA2-PSK, WPA3
- Qos*: WMM
- Multiple SSIDs
- WPS
- Wi-Fi access control based on MAC, Accept/Reject list
- Guest WiFi
- Easy mesh

IP features

- Work mode: bridge mode, router mode
- WAN IP: DHCP client, PPPoE, static IP
- DHCP server



	<ul style="list-style-type: none"> ● IPv4/IPv6 dual stack ● IPv4 NAT, NATP ● DNS client, DNS relay/proxy
IGMP	<ul style="list-style-type: none"> ● IGMP Snooping ● IGMP Proxy
Security	<ul style="list-style-type: none"> ● Firewall ● NAT port mapping virtue server; Full Cone NAT* ● Parental Control: internet time control; Accept/Reject list* ● DMZ*
Maintenance and Management	<ul style="list-style-type: none"> ● Managed via web, support Chrome, Firefox browser etc. ● Factory reset ● Log management ● Network diagnose: ping, traceroute ● Auto timed restart device*

*Can be support on phase 2

Specifications

Physical Interface	Uplink: 1 GE (RJ45) Downlink: 2 GE (RJ45) + 2.4GHz & 5GHz dual-band Wi-Fi
Power Adapter	Input: 100–240 VAC (50/60 Hz) Output: 12 VDC, 1.5 A
Power consumption	Full load: < 10W
Use Conditions	Operating temp: 0~40°C Storage temp: -40~70°C Humidity: 10~90% non-condensing
Dimensions	220 (L) × 130 (W) × 36 (H) mm3
Weight	≤ 0.40Kg



Ordering Information >>

DR5264	Wi-Fi 6 router with 1 GE uplink (RJ45), 2 GE downlink (RJ45), Dual-band IEEE802.11a/n/ac/ax,5GHz and IEEE802.11b/g/n,2.4GHz (MU-MIMO 2*2) Wi-Fi
	* The router can be ordered with European and American or Brazilian power adaptor